

# QY 600VDC Miniature Circuit Breaker



## Features

- DC Circuit Breaker
- Hydraulic-Magnetic Technology
- 100% Rating Capability Independent of Ambient Temperature
- 4 Poles
- UL Listed (UL 489A)
- Ratings up to 20A
- Precision tripping
- Trip Indication with Mid-Trip Handle
- Reset Immediately After Overload

## Applications

- High Voltage (DC) Applications
- Solar Power



## Technical Data

Product Type	Circuit Breaker
Approvals	UL 489A
Number of Poles	4p series
Operating Voltages	600VDC
Minimum Current Rating	0.5A
Maximum Current Rating	20A
Interrupting Capacity	2.5kA
Mounting Options	DIN rail, Dual mounting (DIN & Mini)
Tripping Curves	U2

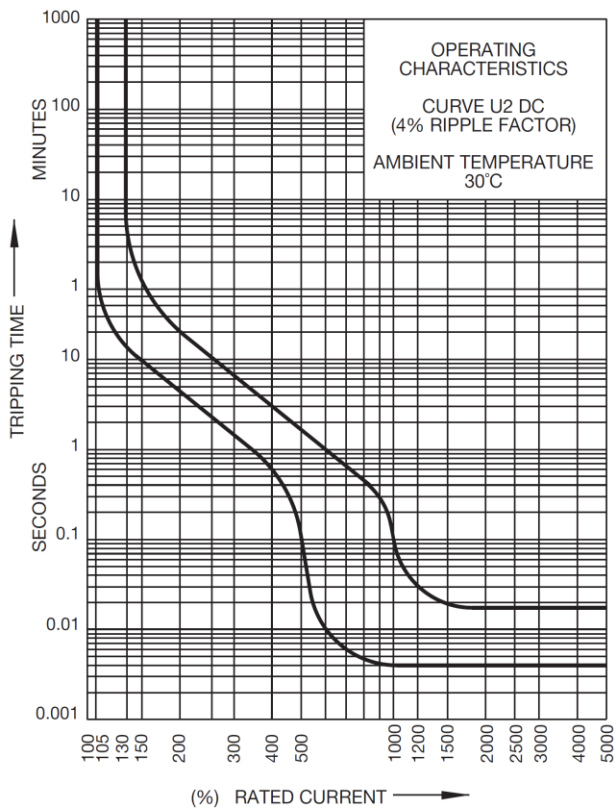
### Circuit Breaker Industries Ltd.

Private Bag 2016, Isando 1600 • Tripswitch Drive, Elandsfontein, Gauteng, South Africa  
Telephone: +27 928 2000 • Telefax: +27 11 392 2354 • e-mail: cbi@cbi.co.za • Reg. No. 05/15747/06

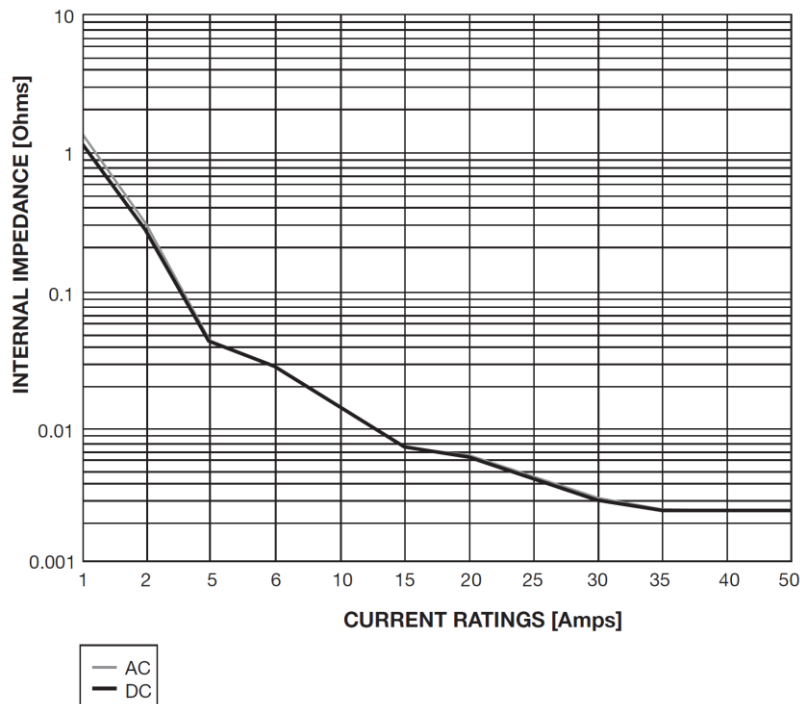
**Established 1949**

# QY 600VDC Miniature Circuit Breaker

## Time Delay Curve



## Internal Impedance vs Current Rating



### Circuit Breaker Industries Ltd.

Private Bag 2016, Isando 1600 • Tripswitch Drive, Elandsfontein, Gauteng, South Africa  
Telephone: +27 928 2000 • Telefax: +27 11 392 2354 • e-mail: cbi@cbi.co.za • Reg. No. 05/15747/06  
**Established 1949**

# QY 600VDC Miniature Circuit Breaker

## Optional Accessories

- Remote operation via voltage coil with fly leads

## Long Code

Group 1: Frame Type	Code	Description	Comments	
	<b>QY</b>	13mm width miniature circuit breaker	UL 489A	
Group 2: Number of Poles	Code	Description	Comments	
	<b>4</b>	Four Pole		
Group 3: Module Width	Code	Description	Comments	
	<b>(13)</b>	13mm module width	13mm per pole	
Group 4: Mounting	Code	Description	Comments	
	<b>D</b>	DIN rail mount	45mm Escutcheon, Grey body	
	<b>DM</b>	Dual mount	57mm Escutcheon, Black body	
Group 5: Time Delays	Code	Description	Instantaneous Trip Point (x In)	Comments
	<b>U2</b>	Medium	6 – 11	White handle
Group 6: Current Ratings	Code	Description	Comments	
	<b>0.5A</b>	0.5A	Examples only. Any rating possible, from 0.5 – 20A.	
	<b>1A</b>	1A		
	<b>20A</b>	20A		
Group 7: Additional	Code	Description	Comments	
	<b>B4</b>	600V DC (series connected)	Four pole, series connected	
	<b>R</b>	Remote Operation	Fly leads for remote operation	

**For options not listed, please contact CBI for assistance**

**Example code: QY – 4 (13) – DM - U2 - 20A - B4**

Group	1	2	4	5	6	7	8
Requirement	QY Frame	Four pole	13mm	Dual Mount	Medium delay	20A	600V DC
Long code	QY	- 4	- (13)	- DM	- U2	- 20A	- B4

### Circuit Breaker Industries Ltd.

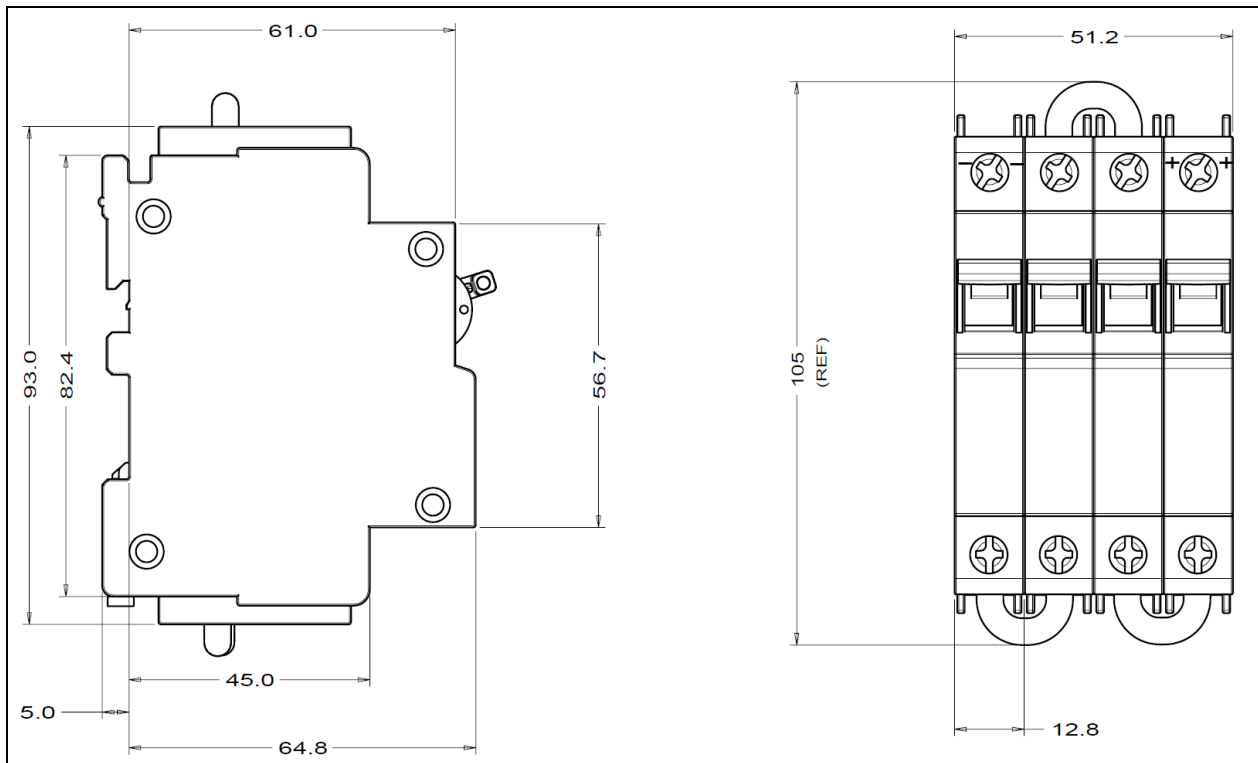
Private Bag 2016, Isando 1600 • Tripswitch Drive, Elandsfontein, Gauteng, South Africa  
 Telephone: +27 928 2000 • Telefax: +27 11 392 2354 • e-mail: cbi@cbi.co.za • Reg. No. 05/15747/06

**Established 1949**

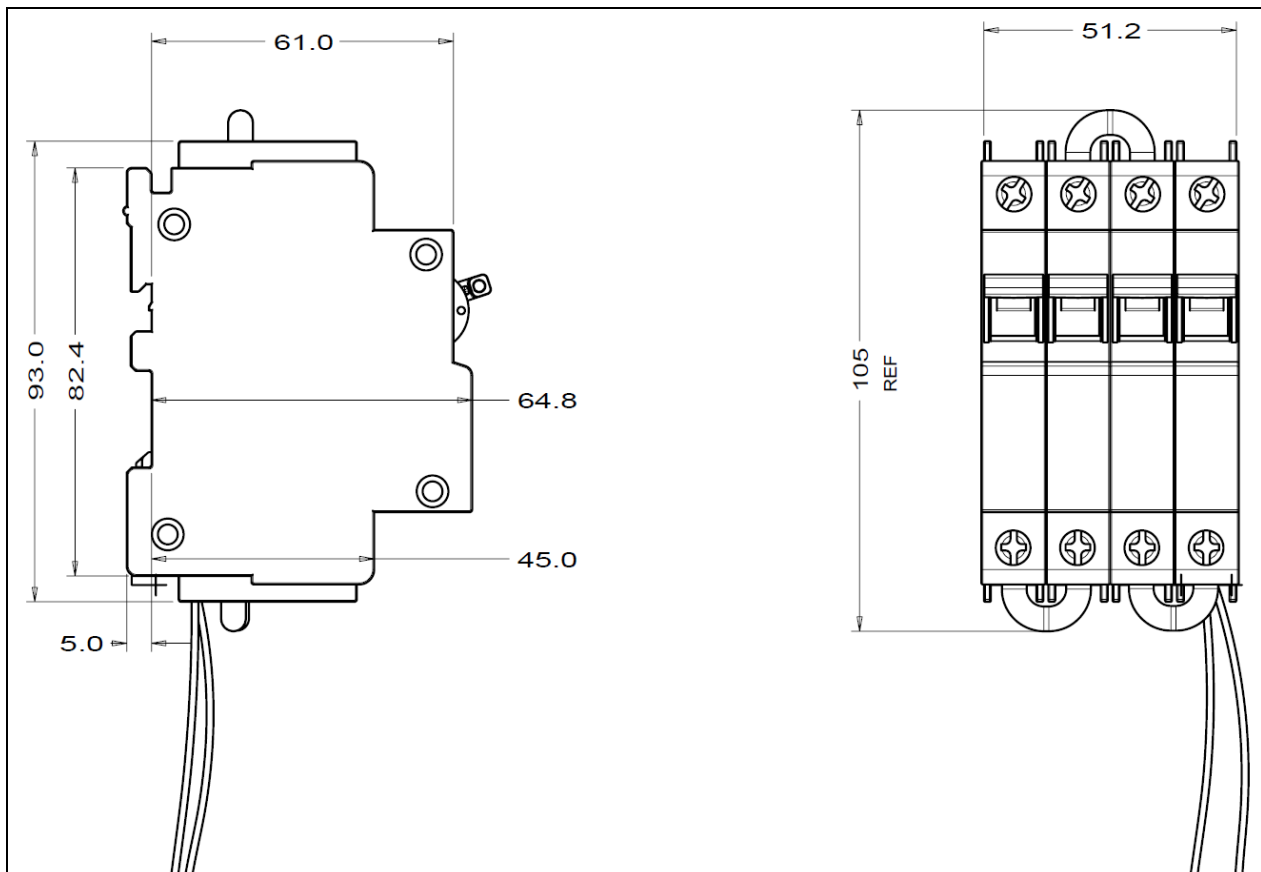
# QY 600VDC Miniature Circuit Breaker

(All dimensions in mm)

## Outline Dimensions: Dual Mount



## Outline Dimensions: Dual Mount (with remote operation)



### Circuit Breaker Industries Ltd.

Private Bag 2016, Isando 1600 • Tripswitch Drive, Elandsfontein, Gauteng, South Africa  
Telephone: +27 928 2000 • Telefax: +27 11 392 2354 • e-mail: cbi@cbi.co.za • Reg. No. 05/15747/06

**Established 1949**